



AIR-BLOWERS INDUSTRIES SDN BHD

# AIR-BLOWERS

TOYO DIRECT DRIVE AXIAL FAN



## FEATURES

- High air flow volume with medium pressure
- Easy coupling with ducting
- High quality light weight steel
- Quiet and stable operation
- Voltage: 2 (220-240VAC) / 3 (380-440VAC)

## APPLICATIONS

Marines, ventilation for duct, tunnel, kitchen, basement, warehouse etc

## SPECIFICATIONS

Model	Size	Power (KW)	Voltage (V)	Static Pressure (PA)	Air Flow (CFM)	Speed (RPM)	Noise (dB)	Weight (KG)
TA-300S1-A240	12"	0.08	240	65	940	1400	65	11
TA-400S1-A240	16"	0.55	240	166	3120		72	22
TA-500S1-A240	20"	0.75	240	196	5470		74	28
TA-500S1-A415		0.75	415	196	5470		74	28
TA-600S1-A240	24"	2.20	240	294	11010		75	61
TA-600S1-A415		2.20	415	294	11010		75	61

Following a policy of continuous product improvement, we reserve right to modify products/data whenever necessary without prior notice.

AIR BLOWERS



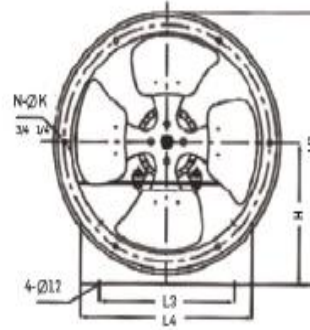
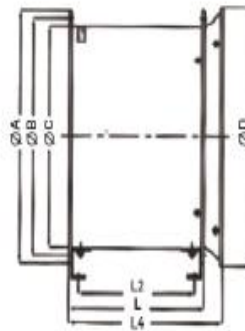
AIR-BLOWERS INDUSTRIES SDN BHD

# AIR-BLOWERS

TOYO DIRECT DRIVE AXIAL FAN



TA-Series



Model	A	B	C	D	L	L1	L2	L3	L4	H	H1	N-K
TA-300S1-A240	360	340	310	375	250	300	208	220	280	210	398	6-7
TA-400S1-A240	470	440	410	480	290	370	248	290	330	263	505	6-9
TA-500S1-A240	570	540	510	590	290	450	228	350	330	333	628	8-9
TA-500S1-A415	570	540	510	590	290	450	228	350	330	333	628	8-10
TA-600S1-A240	680	645	610	695	410	530	348	430	455	385	733	8-9
TA-600S1-A415	680	645	610	695	410	530	348	430	455	385	733	8-10

Following a policy of continuous product improvement, we reserve right to modify products/data whenever necessary without prior notice.

AIR BLOWERS