



AIR-BLOWERS

AIR-BLOWERS INDUSTRIES SDN BHD

MIXED FLOW INLINE FANS-MIXX SERIES



High Efficiency Mixed Flow In-Line Fan



MIXX series

- ♦ Mixed flow impeller.
- ♦ Uniquely designed 3 speed external rotor motor.
- ♦ Speed Controllable.
- ♦ Compact in size.
- ♦ Manufactured from durable composite plastic, lighter in weight.
- ♦ Higher in efficiency.
- ♦ Lower in sound.

Introduction

MIXX Series is specially designed to provide higher air flow performance with minimum noise generation coupled with high static pressure compare to conventional duct fans.

It is light weight and has excellent performance to sound level ratio. The uniquely designed 3 speed external rotor motor provides additional choices for different applications.



Casing

All models are manufactured from durable composite material.

Specifically designed aerodynamic outlet guide vane ensures streamlined high efficiency performance of low sound level.

Impeller

Mixed flow impeller.

Motor

Uniquely designed 3 speed external rotor motor.

Moisture resistant, suitable for humid and damp environment.

Permanently lubricated ball bearing ensuring reliable and maintenance-free operation.

Class F insulation.

Speed controllable.

Suitable for operation in ambient temperatures ranging from -14°C to +40°C.

Built-in thermal protection device.

Accessories (Optional)

Outlet Duct Cap



GAC Series

Outlet Duct Cap (with Grille)



GACG Series

Intake Louver Kit



GAT Series

Silencer



MCS Series

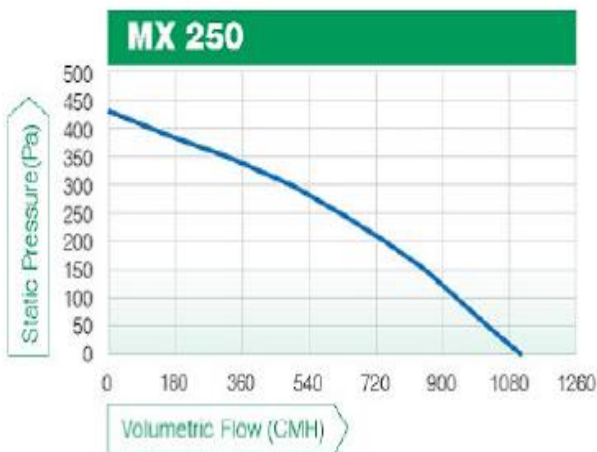
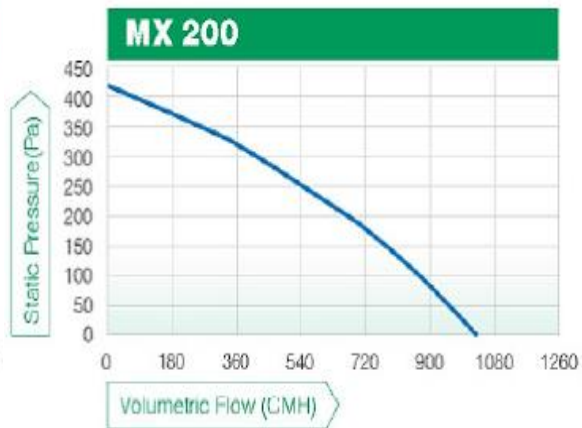
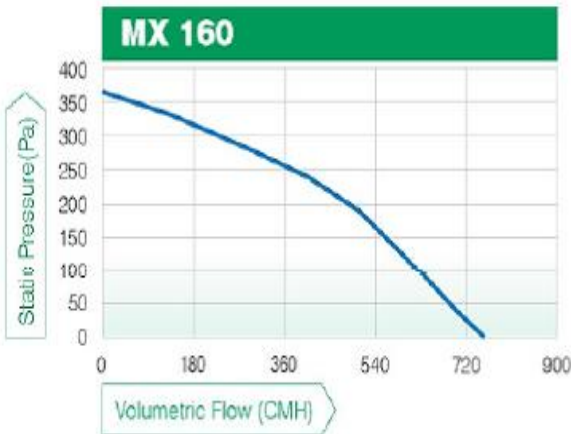
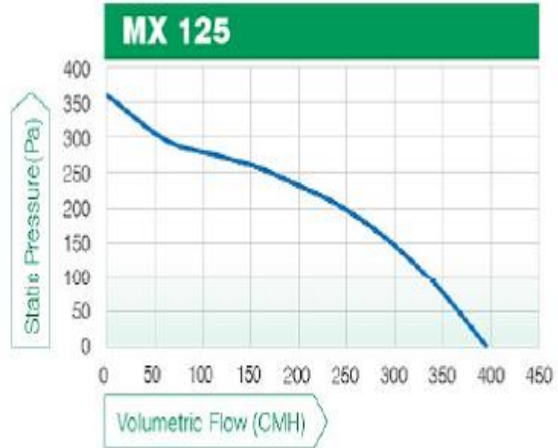
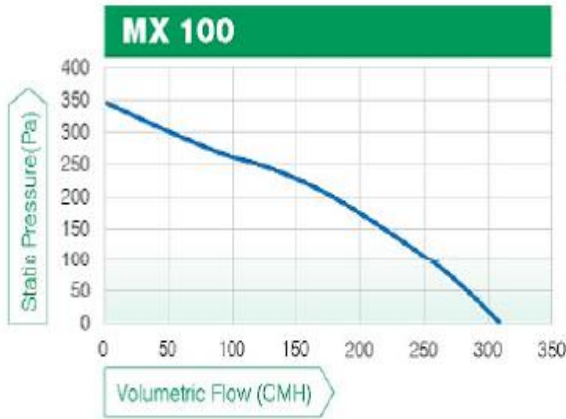
Linear Speed Controller



Model C012

Following a policy of continuous product improvement, we reserve right to modify products/data whenever necessary without prior notice.

AIR BLOWERS



- * Speed (RPM) shown is nominal. Performance is based on actual speed of test
- * Performance ratings do not include the effects of appurtenances.
- * Performance certified is for installation type D – Ducted inlet, Ducted outlet.

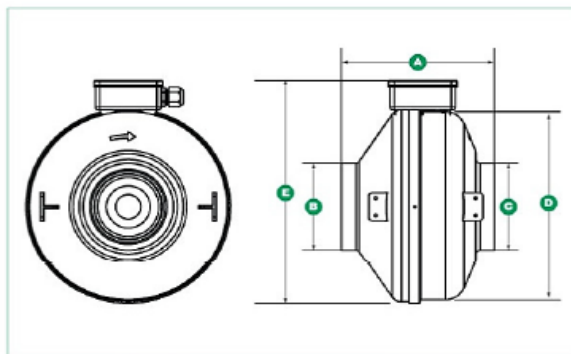


Specification

Model	MX 100	MX 125	MX 160
Volt / Phase / Hz	230 / 1 / 50	230 / 1 / 50	230 / 1 / 50
Max Power Input (W)	68	75	121
Air Flow (CMH)	309	396	756
RPM	2600	2650	2626
Sound Power dB(A)	77	76	82
Sound Pressure dB(A) at 3m	56	55	61

Model	MX 200	MX 250	MX 315
Volt / Phase / Hz	230 / 1 / 50	230 / 1 / 50	230 / 1 / 50
Max Power Input (W)	148	156	228
Air Flow (CMH)	1030	1116	1580
RPM	2467	2463	2352
Sound Power dB(A)	79	81	79
Sound Pressure dB(A) at 3m	58	60	58

Dimension (mm)



MODEL	A	B	C	D	E	Weight(kg)
MX 100	209.5	98.0	98.0	280.4	332.0	3.4 kg
MX 125	209.5	124.0	124.0	280.4	322.0	3.5 kg
MX 160	242.0	158.0	158.0	310.0	352.0	4.4 kg
MX 200	253.8	198.0	198.0	340.0	382.0	5.0 kg
MX 250	237.0	248.0	248.0	350.0	387.0	5.2 kg
MX 315	254.0	313.0	313.0	415.0	457.0	6.6 kg

Accessories (Optional)

GAC Series	GA4G	GA6G
A	155	202
B	15	18
C	100	150
D	98	118

GACG Series	GA4CG	GA6CG
A	155	202
B	25.5	25.5
C	100	150
D	66	66

GAT Series	GA6T	GA8T
A	290	324
B	264	296
C	248	278
D	92	88
E	18	18
F	145	190

* Values shown are for inlet LwIA sound power levels for installation type D: ducted inlet, ducted outlet. Ratings include the effects of duct end correction.

* The A-weighted sound ratings shown have been calculated per AMCA International Standard 301.

* Sound pressure dB(A) levels are not licensed by AMCA International.