

# Jet caps, galvanised

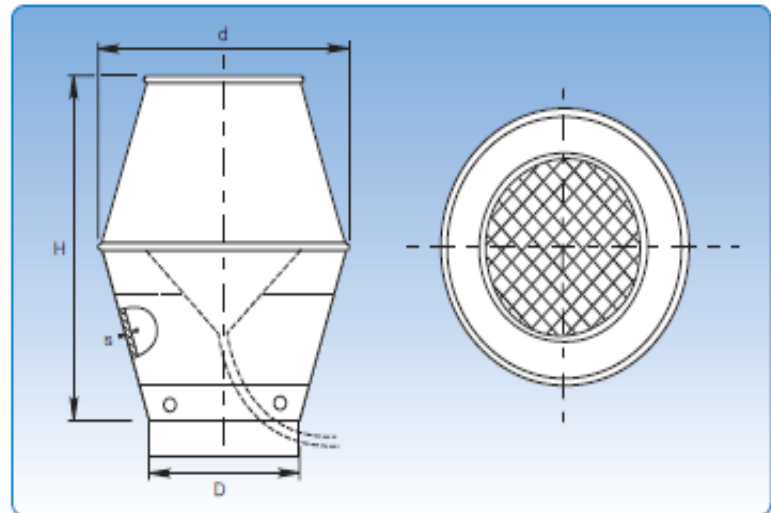
Diameter:  $\phi 120$  -  $\phi 1000$  mm.

Supplied with the same JKF assembly methods as duct systems.

Jet caps from diameter  $\phi 700$  -  $\phi 1000$  mm are fitted with flanges as standard.

Jet caps are fitted with an internal cone and drain hose for disposal of water.

See next page for pressure loss curves.



Dimensional specifications are given in the table below.

Dimensions					
Item no.	D mm	d mm	s mm	H mm	Weight kg
1902202	120	185	0,75	325	3,00
1903202	125	195	0,75	340	3,50
1904202	140	215	0,75	365	3,80
1905202	150	230	0,90	390	4,00
1906202	160	245	0,90	410	5,00
1907202	180	275	0,90	445	5,40
1908202	200	305	0,90	490	4,00
1909202	225	345	0,90	535	4,80
1910202	250	380	0,90	590	5,70
1912202	275	420	0,90	640	9,00
1913202	300	460	0,90	690	8,00
1914202	315	480	0,90	720	8,70
1915202	350	535	0,90	785	10,70
1916202	400	610	0,90	885	13,50
1917202	450	690	0,90	985	16,70
1918202	500	765	0,90	1095	21,00
1919202	550	840	0,90	1200	28,00
1920202	600	915	0,90	1300	36,00
1921202	630	960	0,90	1360	40,00
1922202	650	990	0,90	1390	42,00
1923202	700	1070	1,25	1505	49,00
1924202	750	1145	1,25	1595	56,00
1925202	800	1220	1,25	1695	68,00
1926202	850	1295	1,25	1795	80,00
1927202	900	1375	1,25	1900	100,00
1928202	950	1450	1,25	1975	105,60
1929202	1000	1525	1,25	2000	150,00

Item numbers designated with  $D \leq 650$  mm are for jet caps assembled with wide pull rings [Elyn].

Jet caps are also available for other assembly methods. See p. 6 for assembly methods.