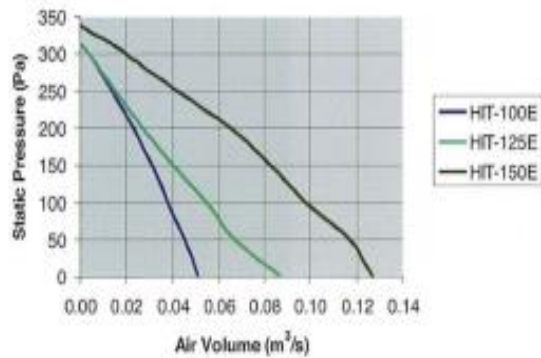
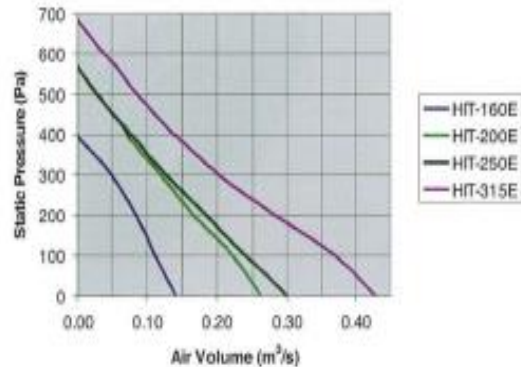


Air Performance and Technical Data

HIT Performance Curve for Size 100 to 150



HIT Performance Curve for size 160 to 315

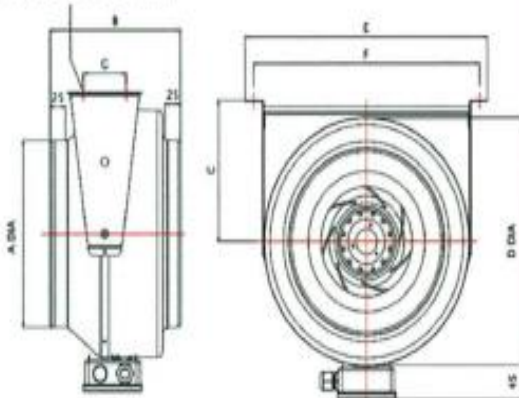


Model Number	Fan Speed rev/sec	Avg dB(A) @ 3m	Input Watts	FL Amps
HIT-100E	43	47	65	0.30
HIT-125E	43	47	70	0.30
HIT-150E	43	48	70	0.30
HIT-160E	43	49	70	0.32
HIT-200E	41	51	170	0.70
HIT-250E	41	51	170	0.70
HIT-315E	41	52	250	1.20

- Galvanised Sheet Steel Body
- Backward Curved Centrifugal Impeller
- Manual Thermal Rest
- IP 44 Protection
- 220 - 240 Volts 50 Hz (60 Hz available on request)

Dimensional Data

2 holes in each bracket
 Sizes 100-160, Ø4 mm.
 Sizes 200-315, Ø5 mm.



Note:

All dimensions in mm

Bracket shown is optional accessory

Model	A	B	C	D	E	F	G	Weight (kg)
HIT-100E	98	204	130	236	284	270	47	3.7
HIT-125E	123	193	130	236	284	270	47	3.7
HIT-150E	148	195	165	278	326	312	47	3.6
HIT-160E	158	195	165	278	326	312	47	3.6
HIT-200E	198	235	190	333	392	372	100	5.5
HIT-250E	248	210	190	333	392	372	100	5.3
HIT-315E	313	265	227	400	460	440	100	8.1

As part of ongoing program of product development and improvement, EltaFantech Asia reserves the right to make changes in design and specification to products without notice or obligation and to change or discontinue models