

Sirocco Series

> Valued features of SIROCCO industrial ventilators include their high degree of efficiency, the rugged design and permanent economic operation.

Features

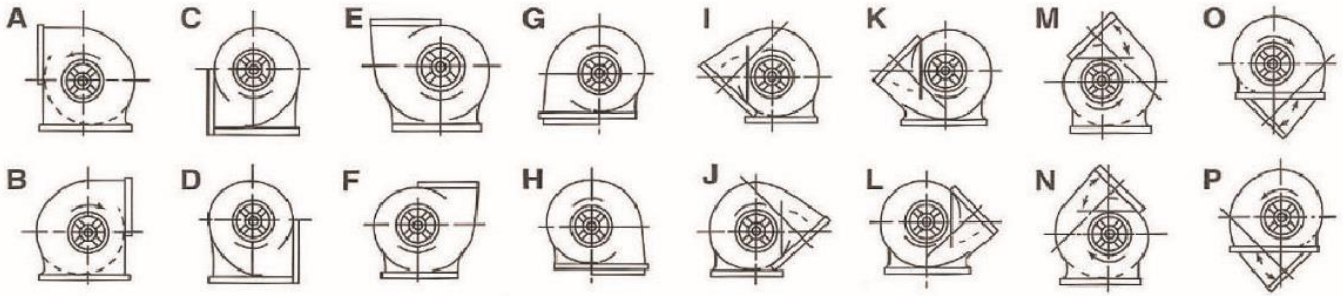
- High air flow and static pressure for effective ventilation
- Clock wise and anti-clockwise direction of wheel are available
- Outlet of the fan can be adjusted to various directions
- Input supply of AC 110,220 and 415 are available
- Easy and simple to install



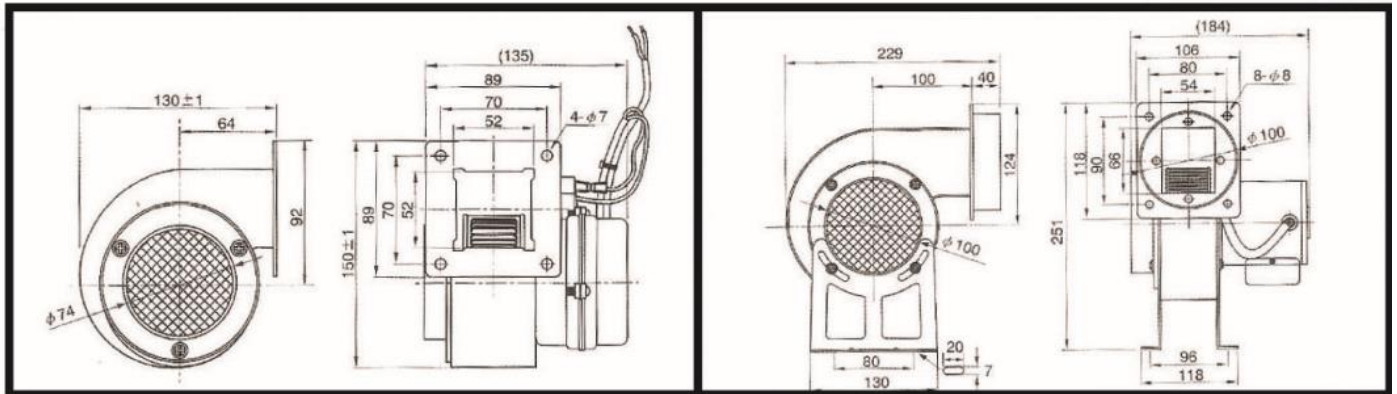
Specifications

Model	Fan Wheel	Phase	Voltage	POLE	Rating	AIR FLOW		STATIC	NOISE
	(IN)		V	(RPM)	W	(CMM)	(CFM)	(MM/Aq)	(dB)
JSD-30S	3	1	230	2/2800	24.7	1.8	64	20	53.50
JSD-40S	4	1	230	2/2800	64	3.4	120	22	59.50
JSD-50S	5	1	115/230	2/2800	175	8.0	282	38	69.20
JSD-60S	6	1	115/230	4/1400	72	6.5	229	13	59.60
JSD-80L	8	1	115/230	4/1400	245	15.2	537	26	68.10
JSD-90L	9	1	115/230	4/1400	529	27.1	957	36	72.2
JSD-100L	10	1	115/230	4/1400	872	41.3	1485	53	74.5
JSD-100L-3	10	3	415	4/1400	886	41.2	1455	53.5	75.6
JSD-120L-3	12	3	415	4/1400	1636	62.2	2196	65.1	81.4

TYPE OF OUTLET DIRECTION

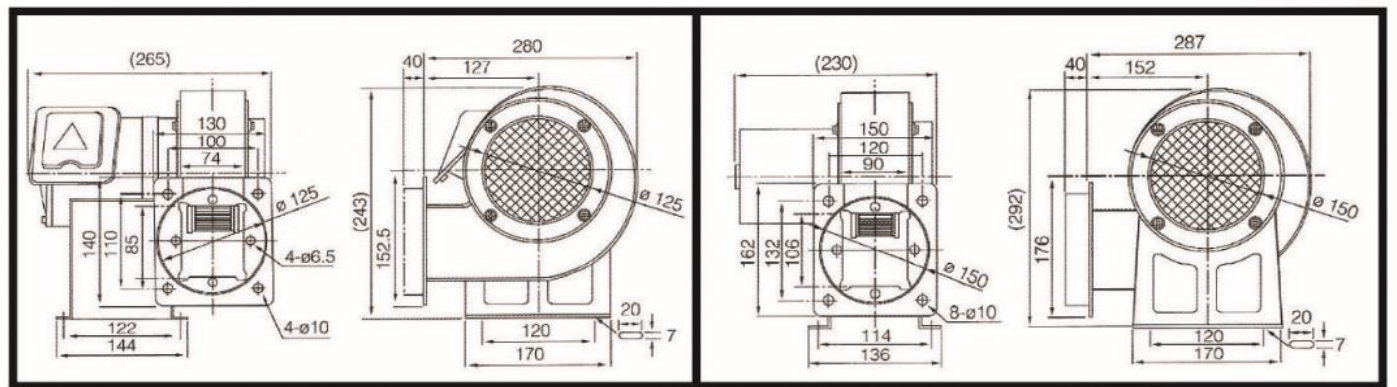


Dimensions in mm



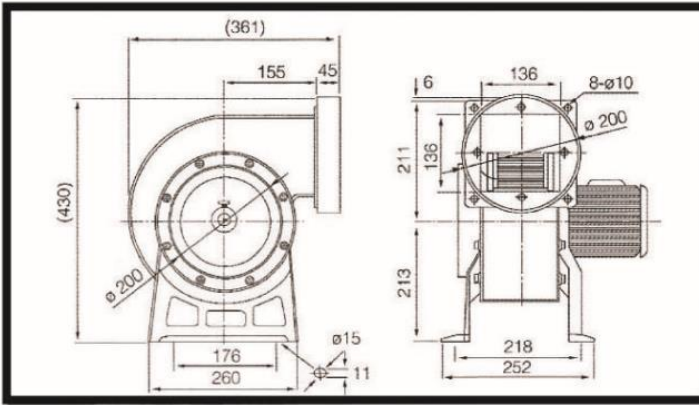
JSD-S30

JSD-S40

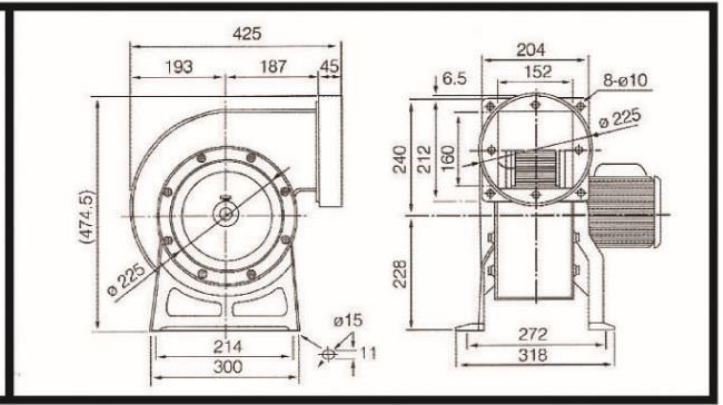


JSD-S50

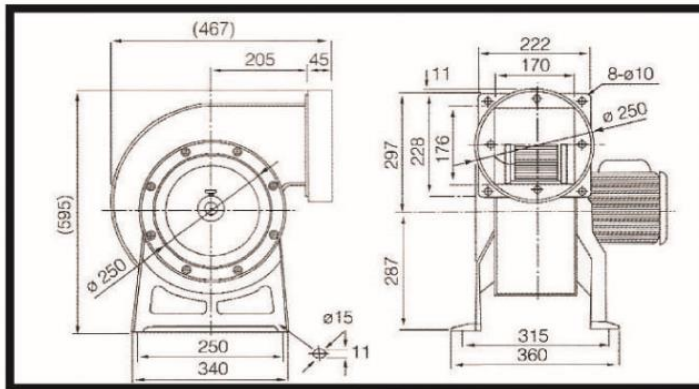
JSD-L60



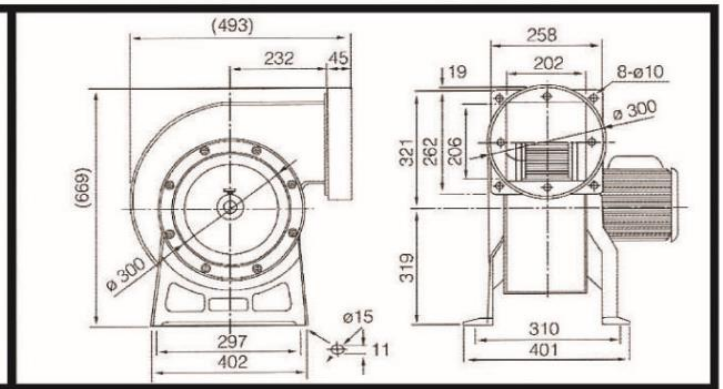
JSD-L80



JSD-90



JSD-L100



JSD-L120