

# DOUBLE INLET FANS

## (FANS FOR CONSTANT TEMPERATURE AND HUMIDITY EQUIPMENT)

### Characteristics

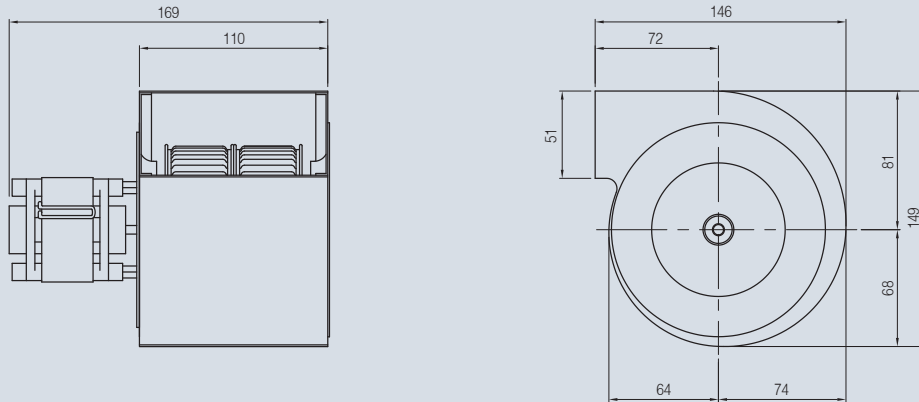
- High air volume generated per unit area
- Excellence in structural strength and durability achieved
- Through direct joint of motor and impellers, the level of noise and vibration lowered
- Various models available per capacity (R/T)
- Both single-phase and three-phase available, and categorized into 6 pole and 8 pole per number of rotations
- Easy installation and handling due to miniaturization and light weight



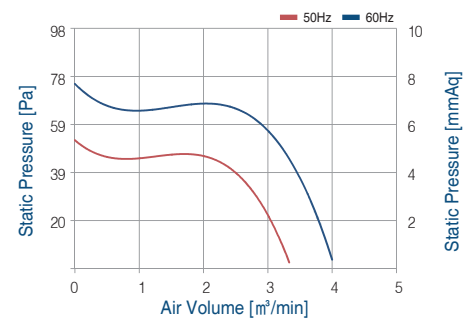
### Product data

MODEL	Motor Power		Static Pressure		Air Volume	Page
	kw	HP	Pa	mmAq	m <sup>3</sup> /min	
AS-430D(4 POLE)	0.2	0.27	74	7.5	4	25p
AS-660D(4 POLE)	0.43	0.57	147	15	10	
AS-780D(4 POLE)	0.15	0.2	279	28.5	17	26p
AS-880D(4 POLE)	0.31	0.41	353	36	29	
AS-880D(6 POLE)	0.1	0.13	157	16	22	27p
AS-910D(4 POLE)	0.33	0.44	686	70	52	
AS-910D(6 POLE)	0.2	0.27	314	32	38	28p
AS-910D(8 POLE)	0.1	0.13	157	16	28	
AS-110D(6 POLE)	0.3	0.4	421	43	57	29p
AS-110D(8 POLE)	0.15	0.2	235	24	40	
AS-111D(6 POLE)	0.75	1	353	36	88	30p
AS-111D(8 POLE)	0.15	0.2	196	20	63	
AS-122D(6 POLE)	0.75	1	372	38	96	31p
AS-122D(8 POLE)	0.25	0.33	206	21	64	
AS-133D(6 POLE)	2.2	3	578	59	131	32p
AS-133D(8 POLE)	0.75	1	333	34	97	
AS-1512D(6 POLE)	3.7	5	745	76	156	33p
AS-1512D(8 POLE)	1.12	1.5	470	48	118	

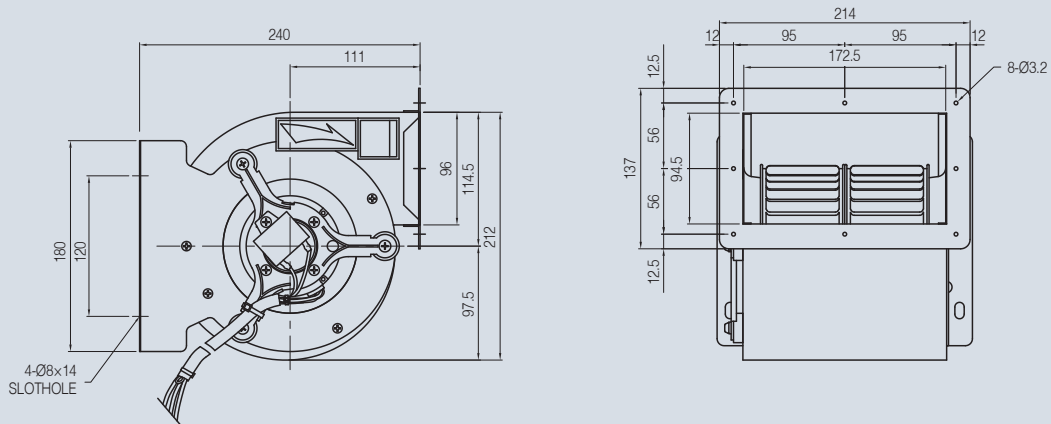
• AS-430D (4 POLE)



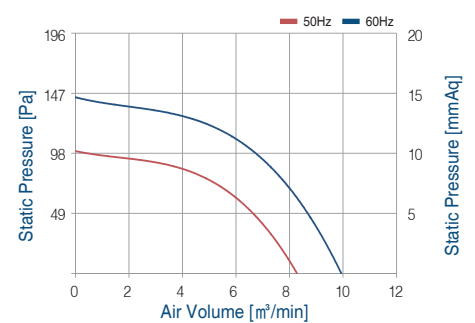
Power source			Static Pressure Pa	Air Volume m <sup>3</sup> /min	Motor power W	Input power W	Current A	Rotative speed RPM
Phase	V	Hz						
φ 1	220	60Hz	74	4	20	40	0.4	1660
φ 1	220	50Hz	51	3.2	11.5	20	0.2	1380



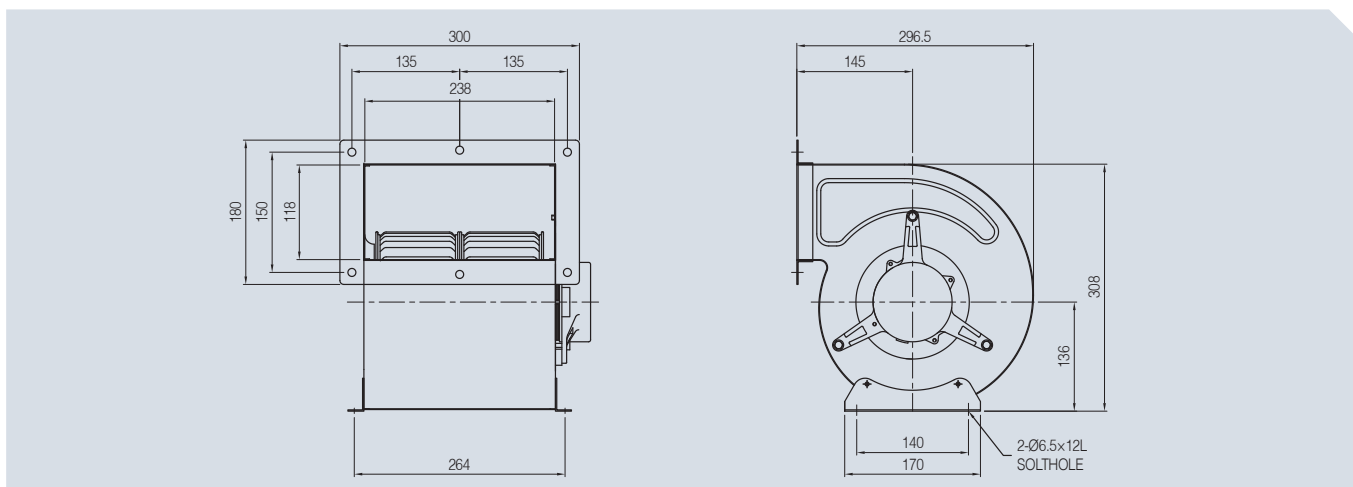
• AS-660D (4 POLE)



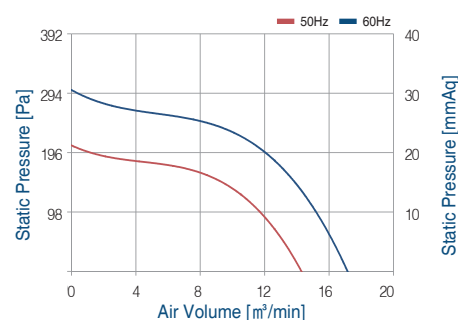
Power source			Static Pressure Pa	Air Volume m <sup>3</sup> /min	Motor power W	Input power W	Current A	Rotative speed RPM
Phase	V	Hz						
φ 1	220	60Hz	147	10	43	90	0.4	1730
φ 1	220	50Hz	102	8.3	25	50	0.3	1440



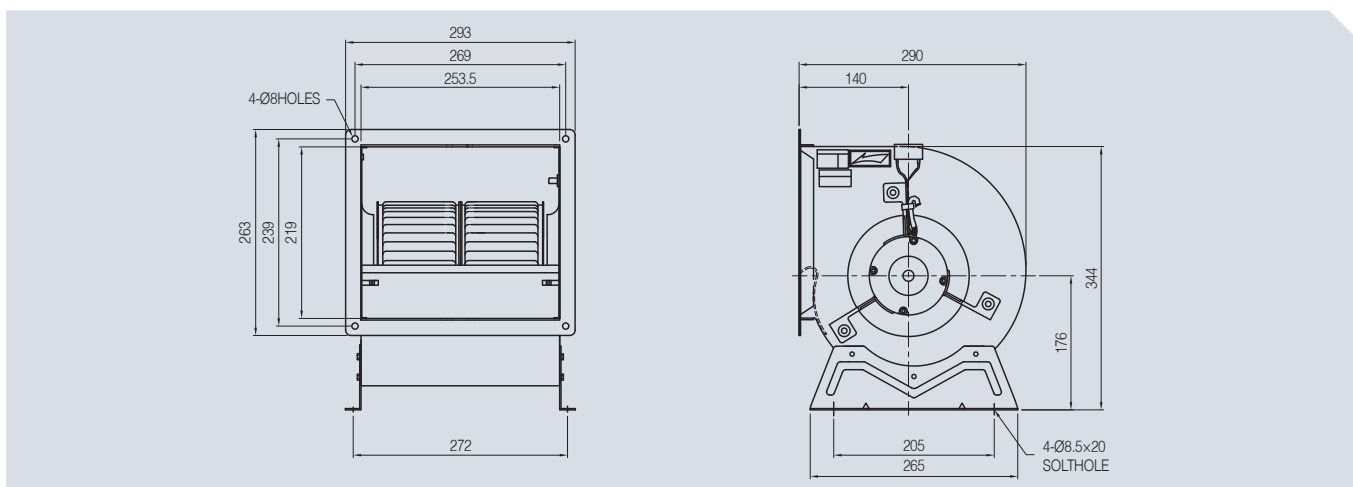
• AS-780D (4 POLE)



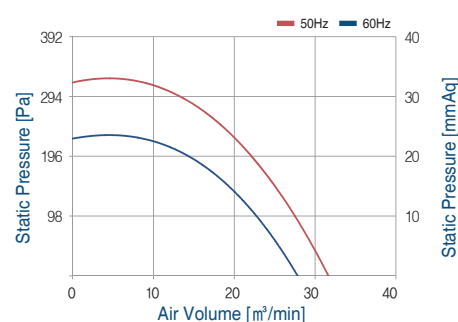
Power source			Static Pressure [Pa]	Air Volume [m³/min]	Motor power [W]	Input power [W]	Current [A]	Rotative speed [RPM]
Phase	V	Hz						
∅ 1	220	60Hz	279	17	150	230	1.1	1710
∅ 1	220	50Hz	235	14	130	190	1.0	1430



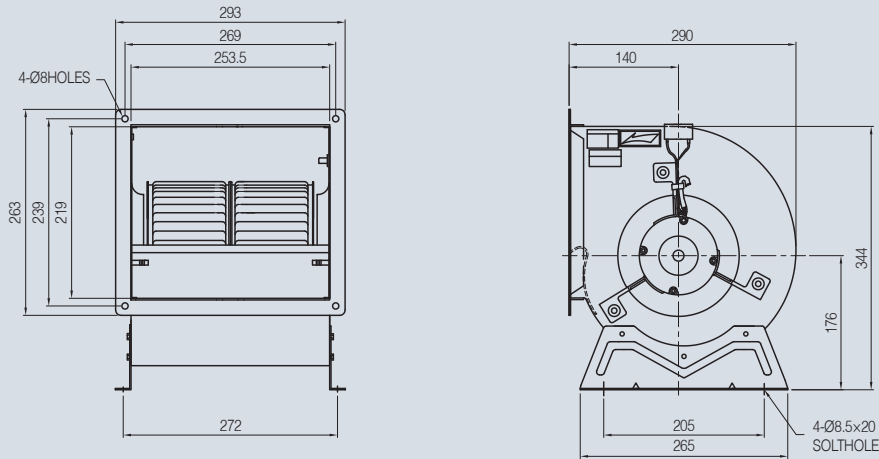
• AS-880D (4 POLE)



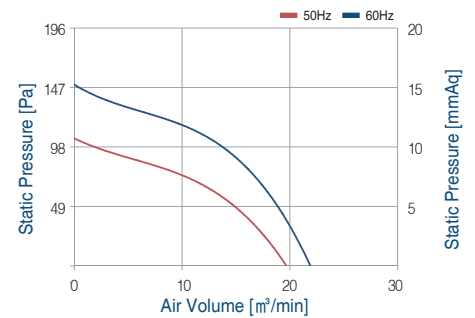
Power source			Static Pressure [Pa]	Air Volume [m³/min]	Motor power [W]	Input power [W]	Current [A]	Rotative speed [RPM]
Phase	V	Hz						
∅ 3	220	60Hz	353	29	310	530	1.6	1770
	380						1.0	1760
∅ 3	220	50Hz	245	26	310	350	1.3	1450
	280						0.8	1460



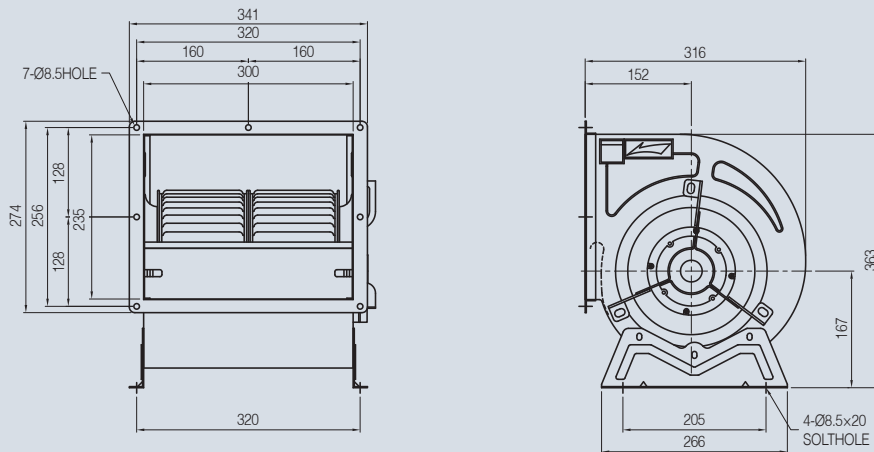
• AS-880D (6 POLE)



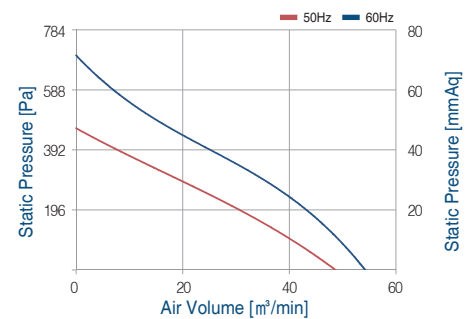
Power source			Static Pressure Pa	Air Volume m³/min	Motor power W	Input power W	Current A	Rotative speed RPM					
Phase	V	Hz											
φ 1	220	60Hz	157	22	100	210	1.0	1170					
	220					200	0.7						
φ 3	380					210	0.4						
	440					200	0.3						
φ 1	220					50Hz	118		21	100	180	0.9	980
	220										130	0.6	
φ 3	380	150	0.4										
	440	140	0.3										



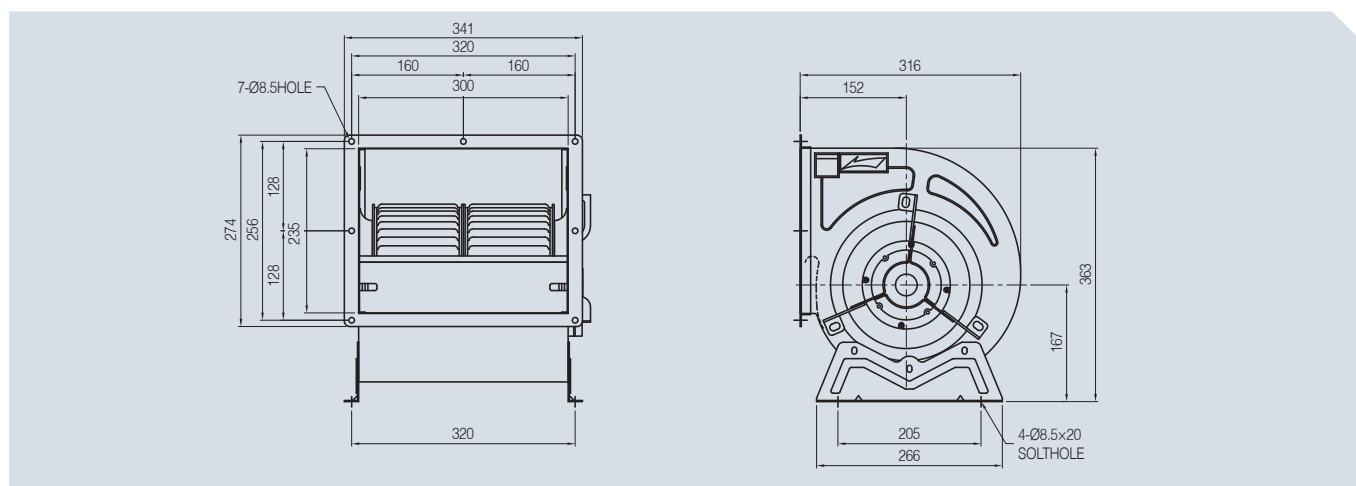
• AS-910D (4 POLE)



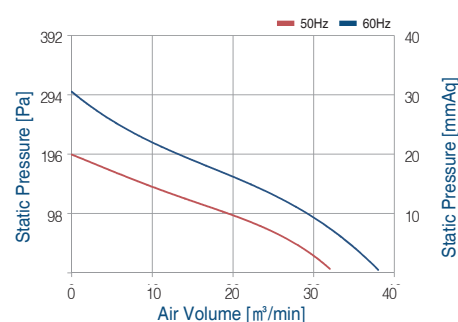
Power source			Static Pressure Pa	Air Volume m³/min	Motor power W	Input power W	Current A	Rotative speed RPM				
Phase	V	Hz										
φ 3	220	60Hz	686	52	336	975	3.1	1715				
	380					1005	1.8					
φ 3	220					50Hz	490		46	336	580	2.5
	280										625	1.4



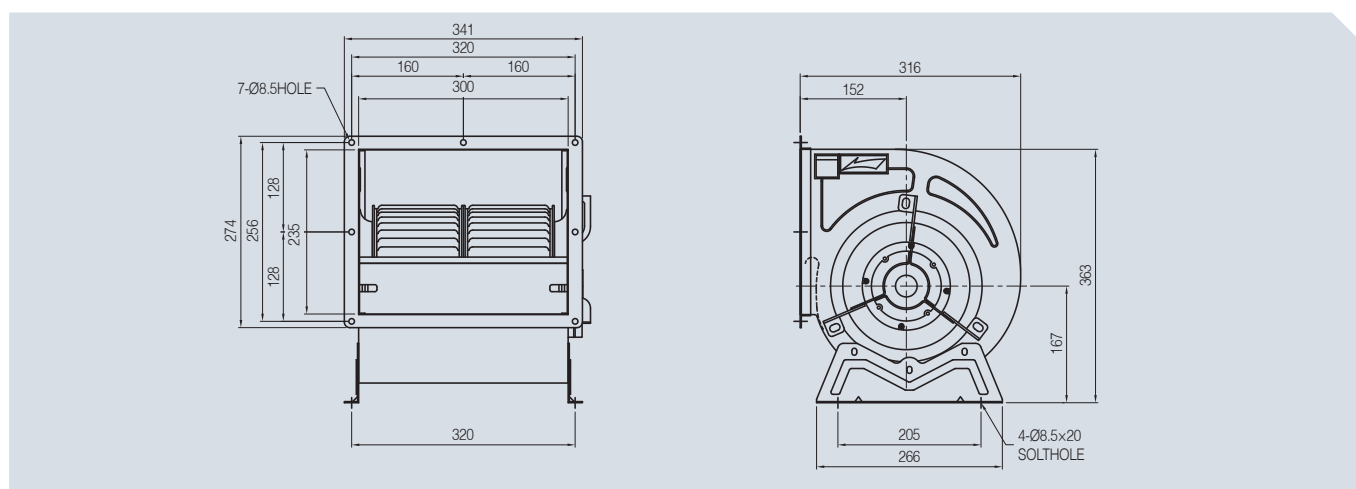
• AS-910D (6 POLE)



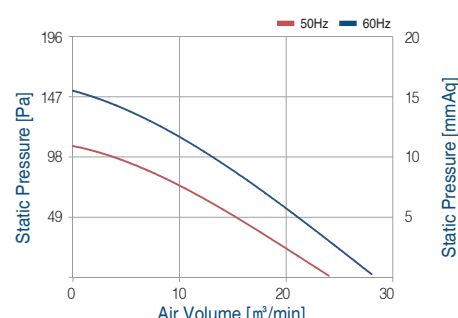
Power source			Static Pressure Pa	Air Volume m³/min	Motor power W	Input power W	Current A	Rotative speed RPM
Phase	V	Hz						
∅ 1	220	60Hz	299	37	200	370	2.0	1140
	380		314	38				
∅ 3	220	50Hz	274	35	200	340	1.6	1070
	380		206	32				
						250	0.8	



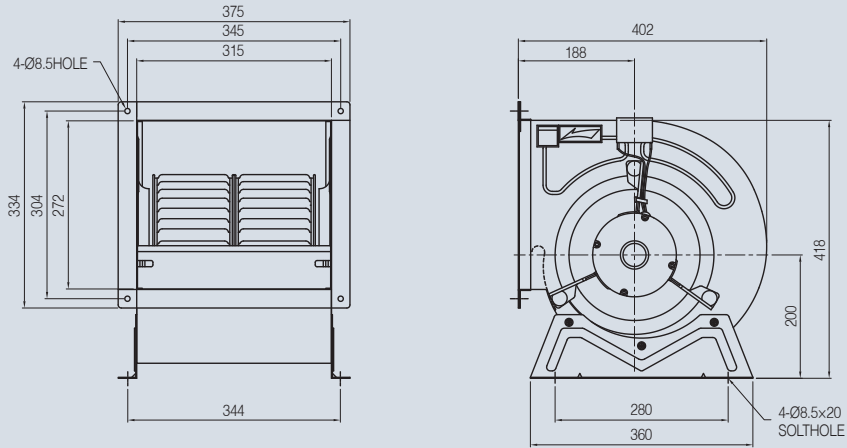
• AS-910D (8 POLE)



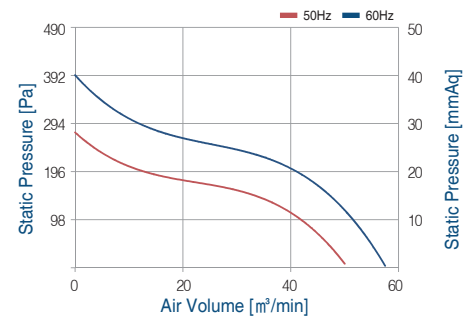
Power source			Static Pressure Pa	Air Volume m³/min	Motor power W	Input power W	Current A	Rotative speed RPM
Phase	V	Hz						
∅ 1	220	60Hz	157	28	110	240	1.1	850
	380					170	0.8	
∅ 3	220	50Hz	118	24	100	210	1.2	720
	380					120	0.7	
							0.5	



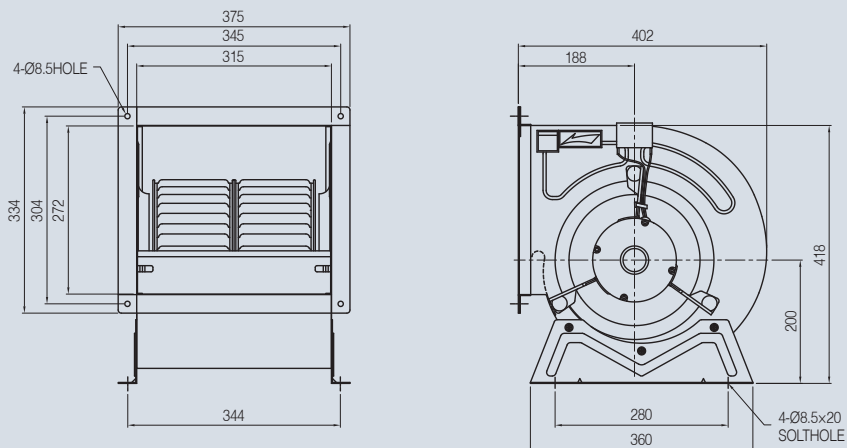
• AS-110D (6 POLE)



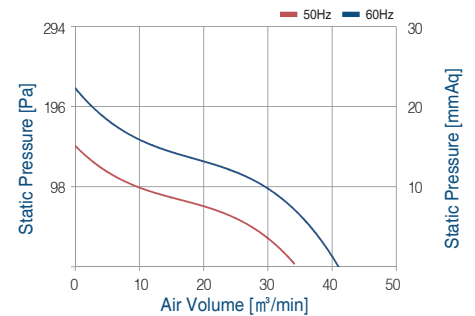
Power source			Static Pressure Pa	Air Volume m³/min	Motor power W	Input power W	Current A	Rotative speed RPM					
Phase	V	Hz											
φ 1	220	60Hz	421	57	300	680	3.4	1140					
	220					720	2.6						
φ 3	380					750	1.5						
	440					440	1.3						
φ 1	220					50Hz	294		50	300	440	2.0	970
	220										460	1.3	
φ 3	380	480	1.1										
	440	480	1.1										



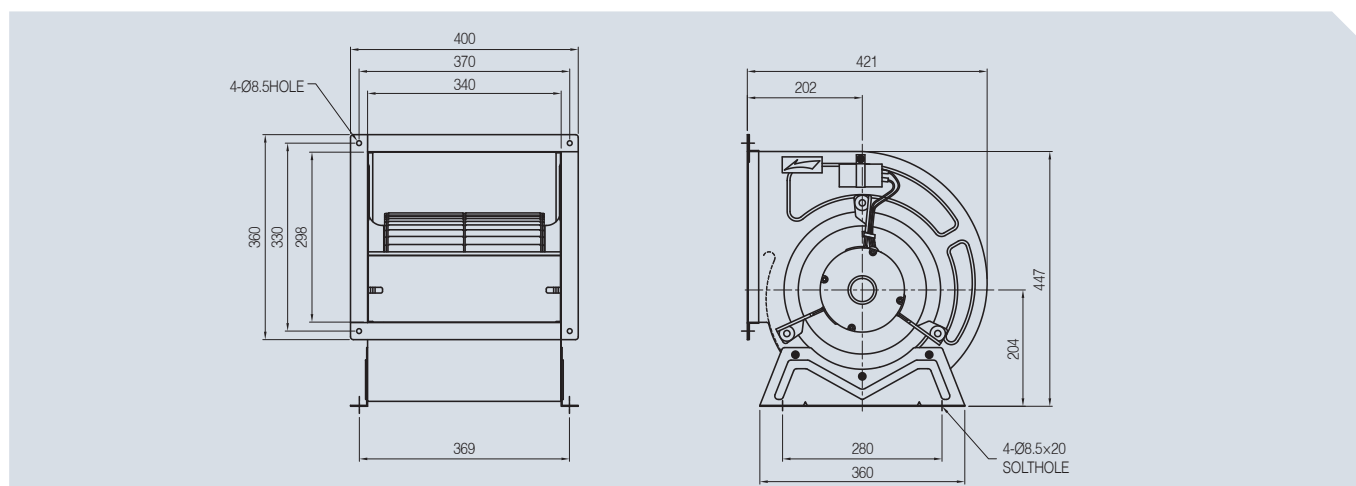
• AS-110D (8 POLE)



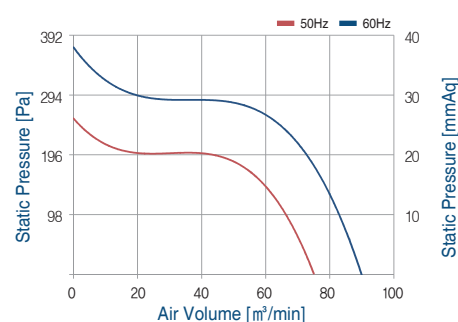
Power source			Static Pressure Pa	Air Volume m³/min	Motor power W	Input power W	Current A	Rotative speed RPM					
Phase	V	Hz											
φ 1	220	60Hz	235	40	150	320	1.5	850					
	220					310	1.3						
φ 3	380					300	0.8						
	440					300	0.7						
φ 1	220					50Hz	157		35	150	210	1.2	710
	220										180	1.1	
φ 3	380	200	0.7										
	440	200	0.6										



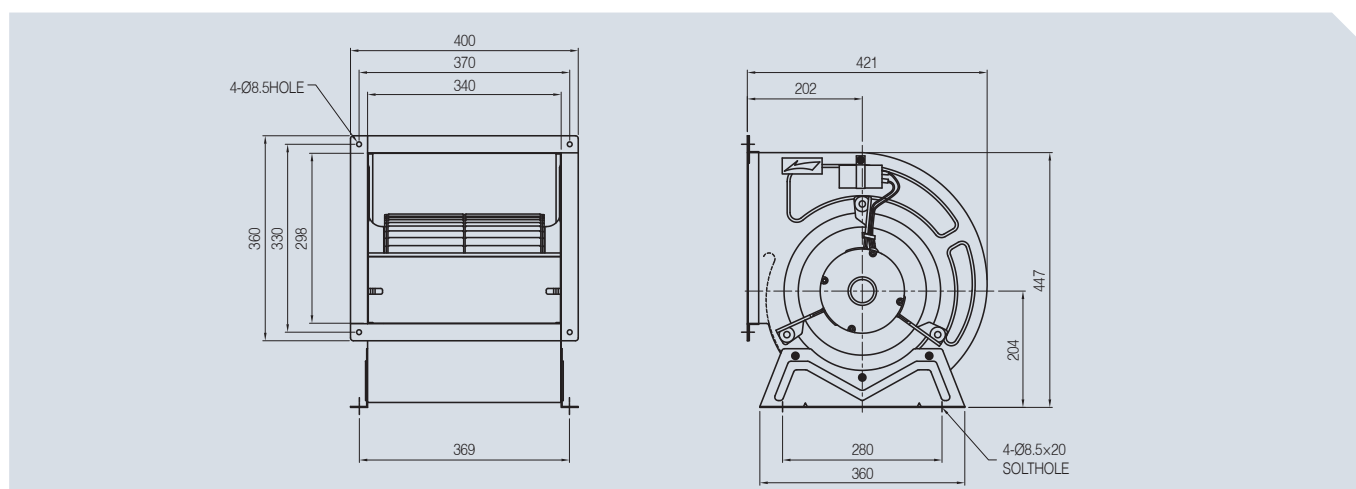
• AS-111D (6 POLE)



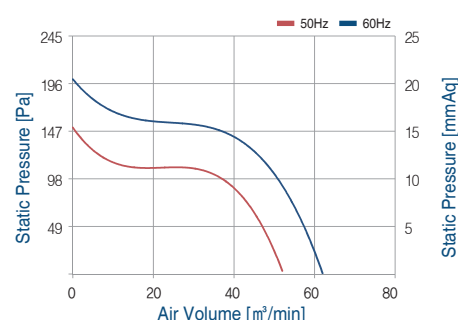
Power source			Static Pressure Pa	Air Volume m <sup>3</sup> /min	Motor power W	Input power W	Current A	Rotative speed RPM				
Phase	V	Hz										
φ 1	220	60Hz	353	88	750	1110	5.1	1180				
	220					3.8						
	380					2.2						
φ 3	440					1250	2.3					
	220					50Hz	245		75	750	860	4.4
	220										3.0	
380	700	1.7										
φ 3	440	770	1.9									



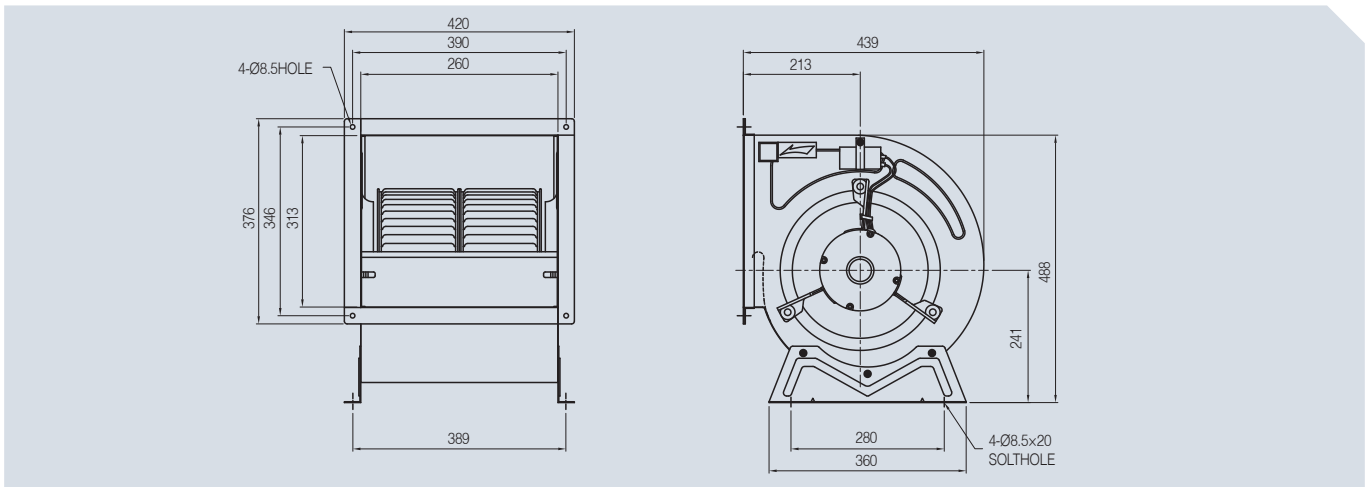
• AS-111D (8 POLE)



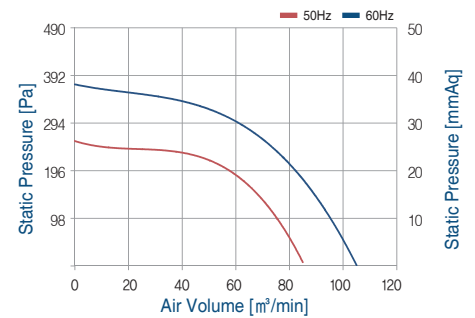
Power source			Static Pressure Pa	Air Volume m <sup>3</sup> /min	Motor power W	Input power W	Current A	Rotative speed RPM				
Phase	V	Hz										
φ 1	220	60Hz	196	63	150	510	2.4	890				
	220					1.8						
	380					1.1						
φ 3	440					570	1.1					
	220					50Hz	137		55	150	350	1.6
	220										1.5	
380	340	0.9										
φ 3	440	380	1.0									



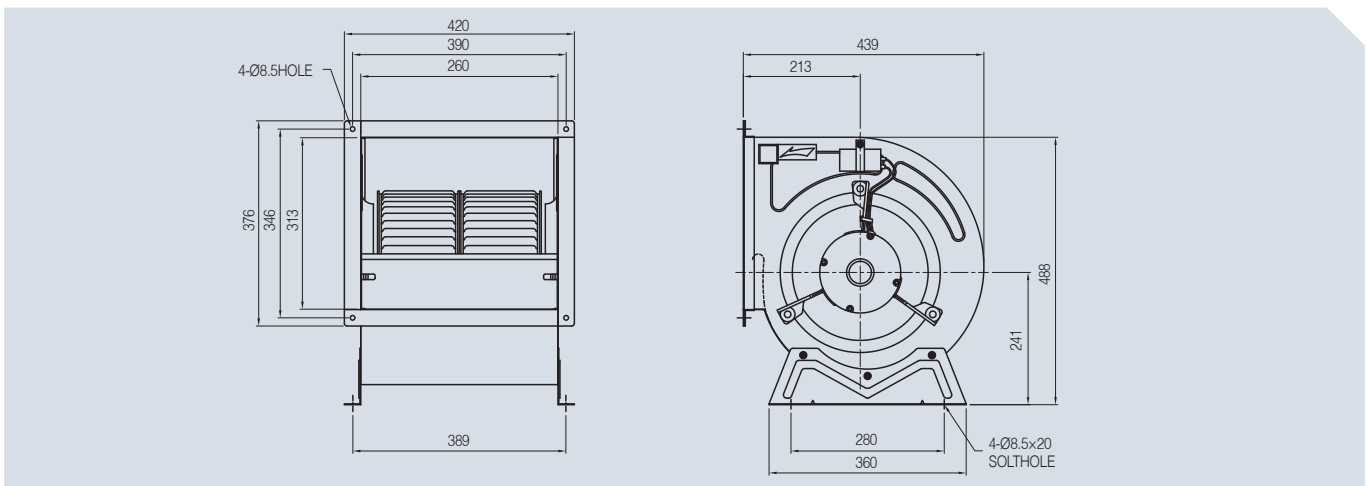
• AS-122D (6 POLE)



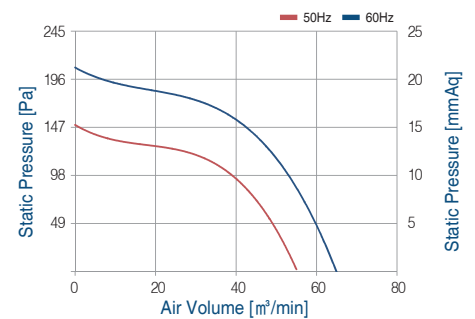
Power source			Static Pressure Pa	Air Volume m <sup>3</sup> /min	Motor power W	Input power W	Current A	Rotative speed RPM	
Phase	V	Hz							
φ 1	220	60Hz	323	79	750	1100	5.0	1160	
	220						5.3		
φ 3	380		372	96	1560	3.1	1180		
	440		2.6						
φ 1	220		50Hz	225	72	750	860	4.2	980
	220							4.2	
φ 3	380	255		80	910	2.4	995		
	440	2.1							



• AS-122D (8 POLE)

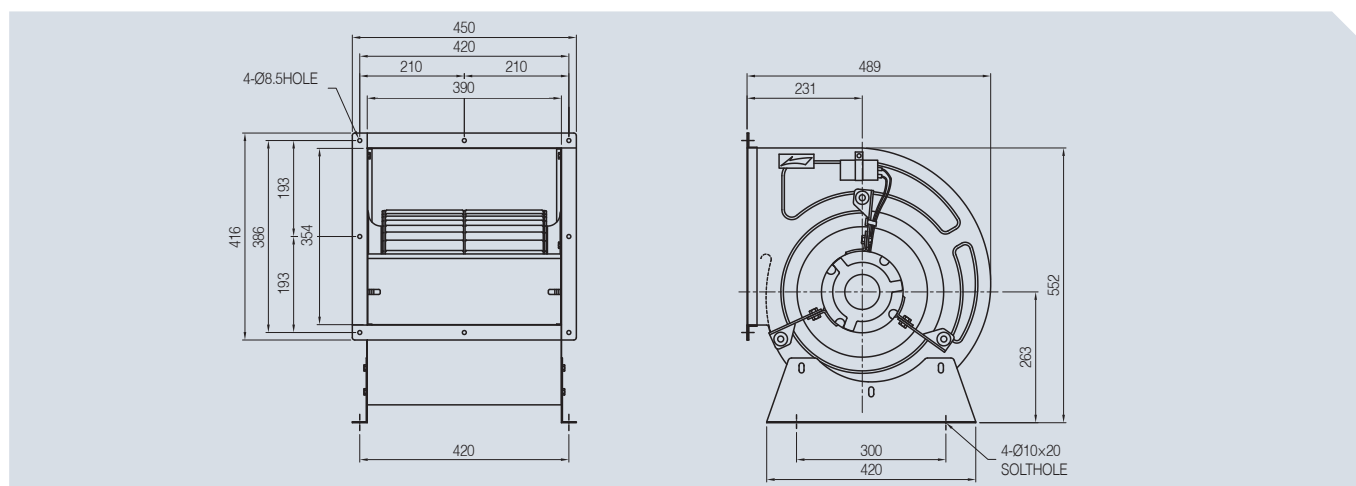


Power source			Static Pressure Pa	Air Volume m <sup>3</sup> /min	Motor power W	Input power W	Current A	Rotative speed RPM	
Phase	V	Hz							
φ 1	220	60Hz	206	64	250	590	2.8	880	
	220						2.0		
φ 3	380		147	62	360	1.1	750		
	440		1.0						
φ 1	220		50Hz	147	53	250	360	1.9	750
	220							1.3	
φ 3	380	147		53	360	0.9	750		
	440	0.8							

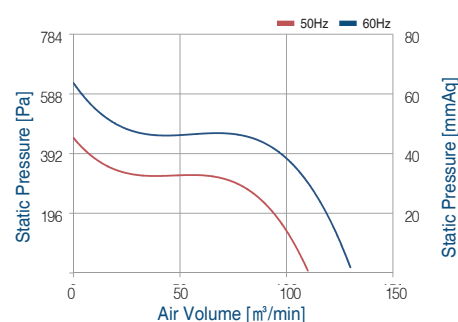




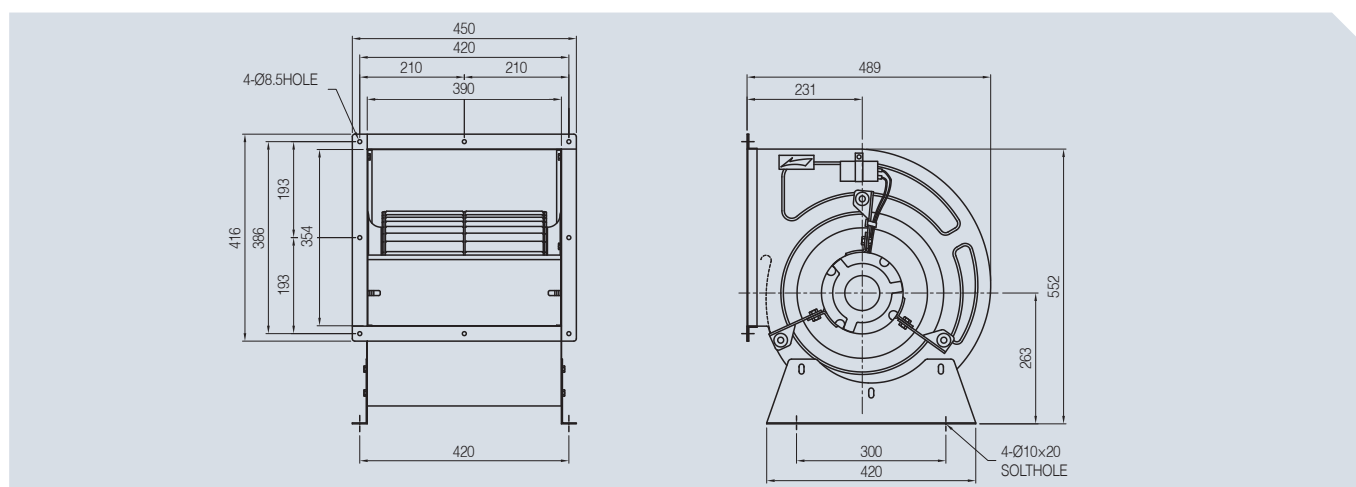
• AS-133D (6 POLE)



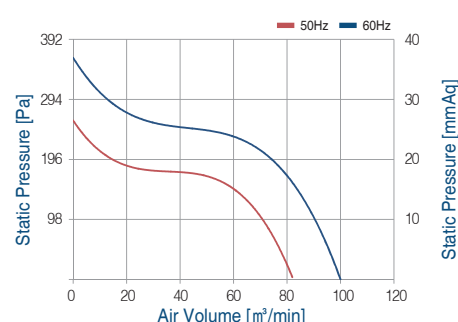
Power source			Static Pressure Pa	Air Volume m³/min	Motor power W	Input power W	Current A	Rotative speed RPM
Phase	V	Hz						
∅ 3	220	60Hz	578	126	2200	2570	8.9	1190
	380						5.1	
	440						4.8	
∅ 3	220	50Hz	402	106	2200	1510	7.0	990
	380						4.0	
	440						3.8	



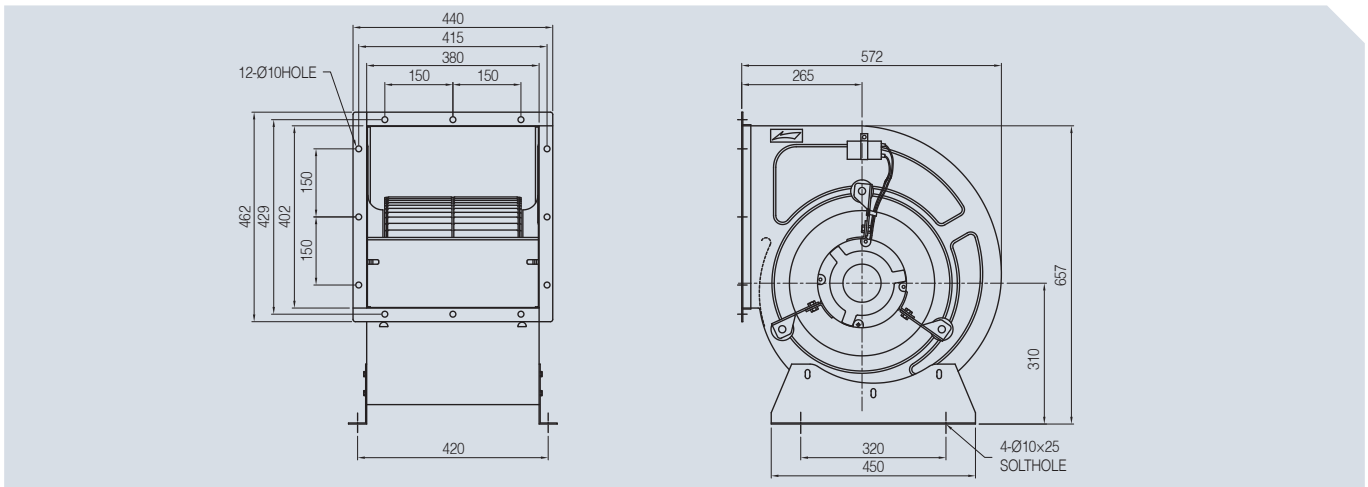
• AS-133D (8 POLE)



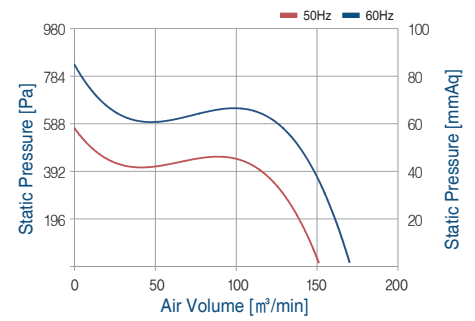
Power source			Static Pressure Pa	Air Volume m³/min	Motor power W	Input power W	Current A	Rotative speed RPM
Phase	V	Hz						
∅ 3	220	60Hz	333	97	750	1060	4.2	880
	380					2.4		
	440					2.2		
∅ 3	220	50Hz	235	81	750	620	3.4	740
	380					2.0		
	440					1.8		



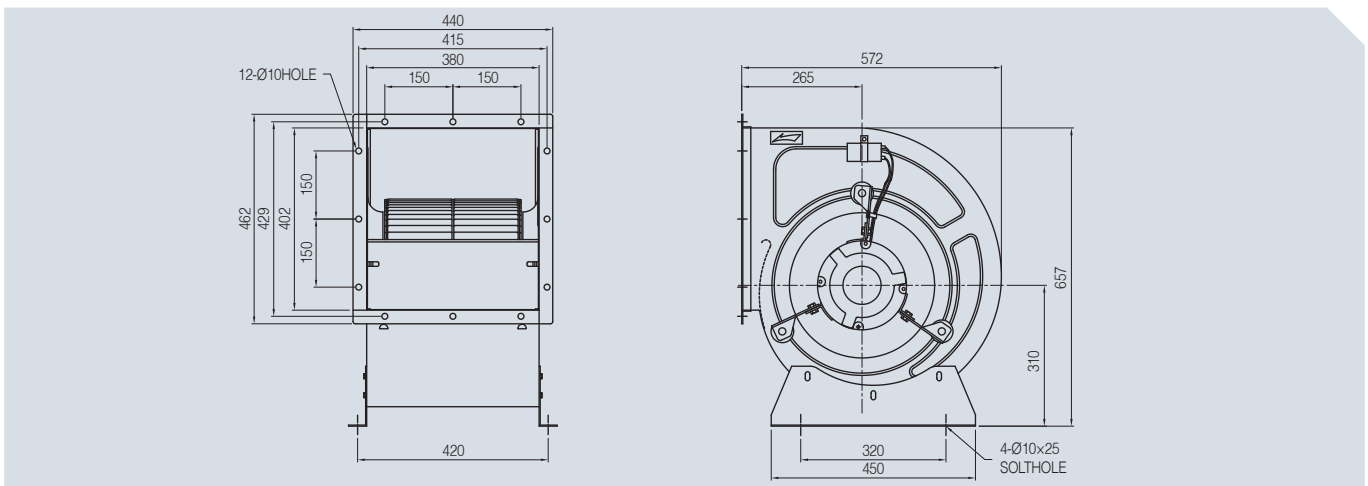
• AS-1512D (6 POLE)



Power source			Static Pressure Pa	Air Volume m <sup>3</sup> /min	Motor power W	Input power W	Current A	Rotative speed RPM
Phase	V	Hz						
	220						14.6	
∅ 3	380	60Hz	745	156	3700	4270	8.4	1190
	440						8.0	
	220						11.7	
∅ 3	380	50Hz	529	140	3700	2590	6.7	990
	440						7.3	



• AS-1512D (8 POLE)



Power source			Static Pressure Pa	Air Volume m <sup>3</sup> /min	Motor power W	Input power W	Current A	Rotative speed RPM
Phase	V	Hz						
	220						6.4	
∅ 3	380	60Hz	470	118	1120	1650	3.7	880
	440						4.2	
	220			98		1000	5.3	
∅ 3	380	50Hz	377	100	1120	1010	3.1	740
	440						3.4	

